



## C-800G

### Vacuum Tube Condenser Microphone

#### OUTLINE

*Sony developed the C-800G condenser microphone to be the definitive vocal recording device with the ability to provide full dynamic range, yet reproduce delicate and subtle nuances of sound, even at high levels. Designed for the highest possible sound reproduction quality, this microphone is ideal for critical vocal recording in recording studios and film postproduction houses.*

*Utilizing a vacuum tube selected for optimum sonic quality and an innovative cooling system, the C-800G microphone delivers a warm, natural, rich and powerful but delicate sound with low noise and minimum distortion.*

*The superbly natural sound of the C-800G microphone will meet the most critical expectations of all professionals working in the demanding fields of recording and production. For engineers seeking the ultimate in sound quality, this microphone is the premier choice.*

#### FEATURES

##### **The Ultimate in Sound Quality**

The use of a rigorously selected vacuum tube gives the C-800G microphone its superb sonic quality, particularly at high frequencies and with exceptionally low noise levels. With a wide dynamic range and the ability to resolve subtle sound detail, the sonic quality is expressed as rich, natural and sensitive with an outstanding response to fast transients.

##### **Critical Vocal Recordings**

The C-800G microphone is particularly suitable for critical vocal recording in recording studios and film and video postproduction houses, where sound clarity and nuance are essential.

##### **High Sensitivity**

With a high sensitivity of -28dB/Pa, the C-800G microphone can capture subtle nuances at high frequencies with low noise levels and minimum distortion.

##### **Advanced Cooling System**

The C-800G is the first microphone in the world to incorporate a built-in thermoelectric cooling system employing a semiconductor device, heat pipe and heat sink, which greatly contribute to the low noise and low distortion characteristics.

##### **Noise Elimination Construction**

The C-800G microphone incorporates a two-part aluminum body that effectively helps to prevent acoustic vibration from reaching the microphone capsule, resulting in clarity of reproduction.

##### **Selectable Directivity**

The C-800G provides electronically selectable directivity, either omnidirectional or uni-directional, for maximum flexibility and control over pickup angle.

##### **Optional AC Power Supply Unit**

The AC-MC800G AC Power Supply Unit is available as an optional accessory to the C-800G microphone.

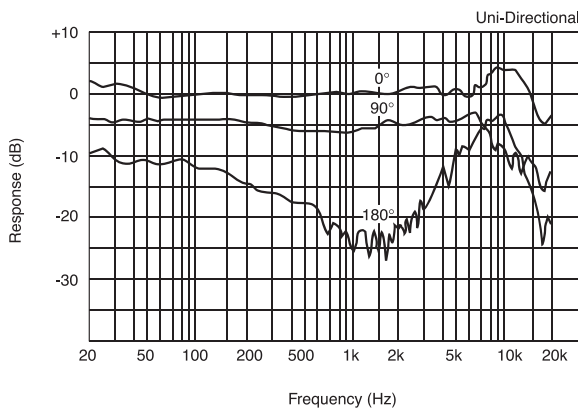


AC-MC800G AC

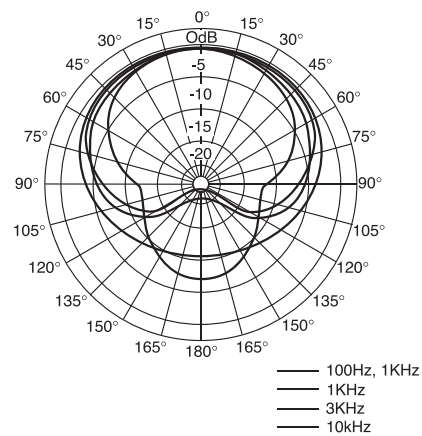
# SPECIFICATIONS

	C-800G	AC-MC800G
Capsule type	Condenser	
Vacuum tube	6AU6A	
Frequency response	20 Hz to 18,000 kHz	
Directivity	Uni-directional/Omni-directional	
Output impedance at 1 kHz	100 Ω ±20% balanced	
Sensitivity at 1 kHz	(Uni) -32.0dB/Pa	(Omni) -35.0dB/Pa
Signal-to-noise ratio (1 kHz, 1 Pa IEC 651, A-weighted)	(Uni) 76dB or more	(Omni) 73dB or more
Inherent noise (IEC 651, A-weighted)	(Uni) Less than 18dB SPL	(Omni) Less than 21dB SPL
Max. input sound pressure level (1 kHz 1% distortion)	(Uni) 131dB SPL (71 Pa)	(Omni) 134dB SPL (100 Pa)
Dynamic range	113dB or more	
Power requirements	AC120V, 50/60Hz (AC-MC800G)	AC 120V, 50/60Hz (AC-MC800G)
Power consumption	(AC-MC800G) 35W	Approx. 65 W
Dimensions	2 1/4 dia. x 7 5/8 x 9 3/8 inches (57 dia. x 191 x 237 mm)	8 1/2 x 4 1/4 x 12 inches (214 x 105 x 306 mm)
Weight (approx.)	1 lb 16 oz (900 g)	11 lb 14 oz (5.4 kg)
Microphone connector	MIC output; JR16RK-7P type	
Microphone connector	MIC input; JR16RK-7S type Audio output; Cannon XLR-3-32 type	
Supplied accessories	Wind screen (1) Cradle suspension (1) Stand screw adaptor (PF1/2 to NS5/8) (1) Stand screw adaptor (PF1/2 to W3/8) (1) Mic cable (8m, JIS CNR-01 type, 7-pin) (1) Carrying case (1) G sticker (1) Frequency response chart (2)	
Optional accessory	AC-MC800G (AC Power Supply Unit)	

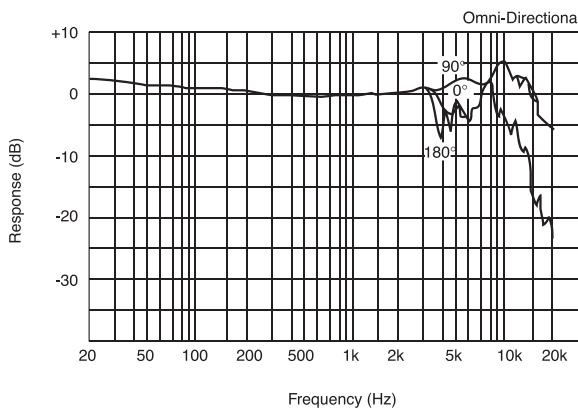
Frequency Response Characteristics



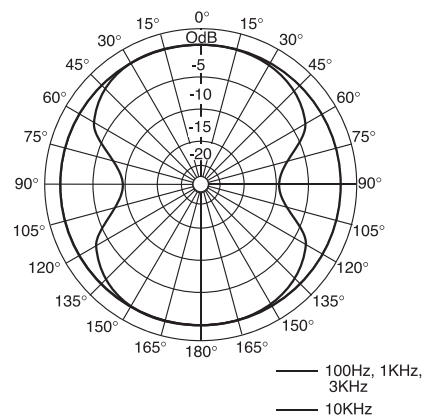
Directivity Characteristics



Frequency Response Characteristics



Directivity Characteristics



**SONY**

Sony Electronics Inc.  
 1 Sony Drive • Park Ridge, NJ 07656  
[www.sony.com/ProAudio](http://www.sony.com/ProAudio)  
 A-1164

©2007 Sony Electronics Inc. All rights reserved.  
 Reproduction in whole or in part without written permission is prohibited.  
 Features and specifications are subject to change without notice.  
 All non-metric weights and measurements are approximate.  
 Sony is a trademark of Sony.