

SONY®



# HVL-LBPA

Battery Video Light

 [click: sony.com/HDV](http://sony.com/HDV)

## Features

# High-performance LED Video Light



HVL-LBPA

### LED reliability and low power consumption

Bright daylight balanced output.

Powered by a single InfoLithium® battery.

The HVL-LBPA is perfect for outside shooting in shade or sunlight.

Color balanced at 5500K daylight color temperature.

Max. 600 lux @ 1m. Low power usage of only 16 W.

NP-F970 battery provides 180 min. @ max. brightness.

Over 10,000 hrs. light bulb lifetime\* for heavy usage.

Low heat means quick cool down and pack-up.

\* This is the time when an output of radiance value is reduced by half.  
(The LED tested were measured under controlled conditions. Actual LED life may vary based on different operating conditions and settings.)

### Battery power from NP-F770/F970

The HVL-LBP is cost effective and convenient, using standard L Series batteries.



### Wide compatibility for flexible installation

The HVL-LBPA can be attached three ways:

1. The cold shoe achieves a good weight balance when battery adaptor is added to the rear of the HVR-V1U camera using VCT-1BP.
2. The screw bolt contained inside the attachment foot can be extended with dialing screw (circled in red) for easy connection to the screw hole.
3. The screw hole allows easy connection to a tripod, light stand, or other device that contains a standard screw in its attachment plate.

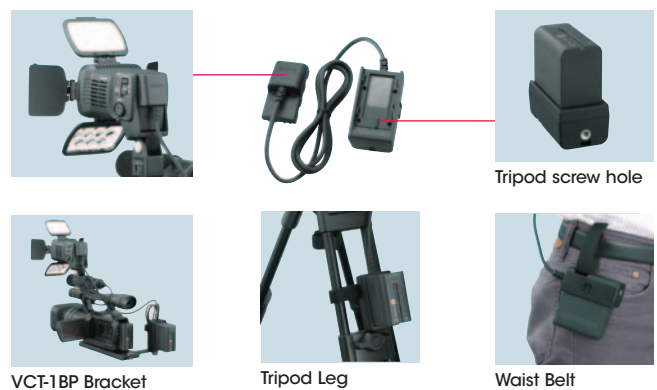


1. Cold shoe

2. Screw bolt

3. Screw hole

The supplied battery adapter has a tripod screw hole and strap for flexible attachment.



VCT-1BP Bracket

Tripod Leg

Waist Belt

Use as a hand-held battery light or on top of a light stand to act as backlight.



## Ideal for Wide-angle Shooting and Interviews

The HVL-LBPA provides uniform flood-lighting over wide areas for backgrounds, and quick conversion to a focused spot-light for interviews.



(simulated image)

### Wide-angle Flood

The HVL-LBPA is designed to provide optimum flood-light dispersion for wide-angle shooting. Uniform dispersion of illumination intensity is possible across the entire scene.



(simulated image)

### Focused Spot

Using the attached special condensing lens, you can concentrate light in one area of the scene - ideal for interviews. The attached diffuser softens shadows and reduces contrast for professional results.

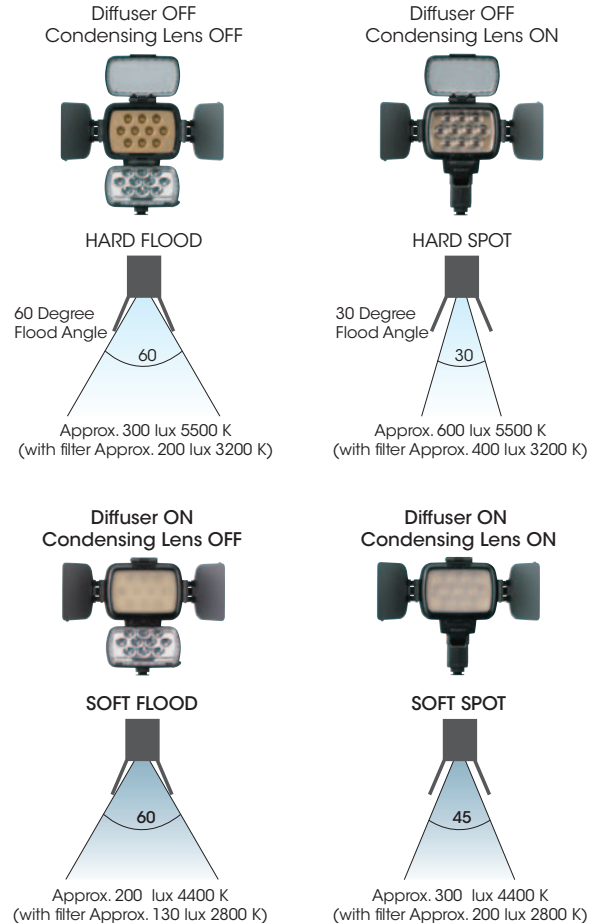
### Filter kit

The HVL-LBPA comes with a filter kit to convert color temperature 5,500K to 3,200K.



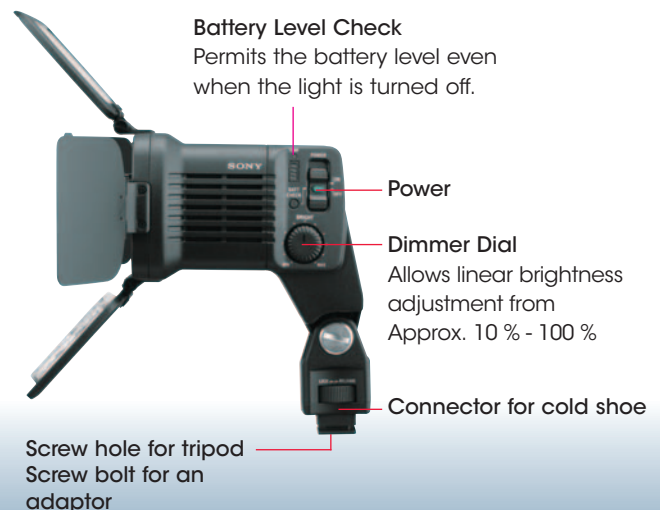
## Spot or flood-lighting with an attached condensing lens ON or OFF.

The HVL-LBPA has a diffuser lens to soften shadows and reduce contrast in all conditions.



Measurement specifications: Dimmer dial set to MAX. @ 3 1/5 ft (1m)  
Temp. 77 °F (25 °C)

## Controls and Features



## Accessories



**2NP-F970/B**  
InfoLITHIUM Rechargeable  
Battery Pack (Two packs)



**AC-VQL1BP**  
Quad Battery Charger

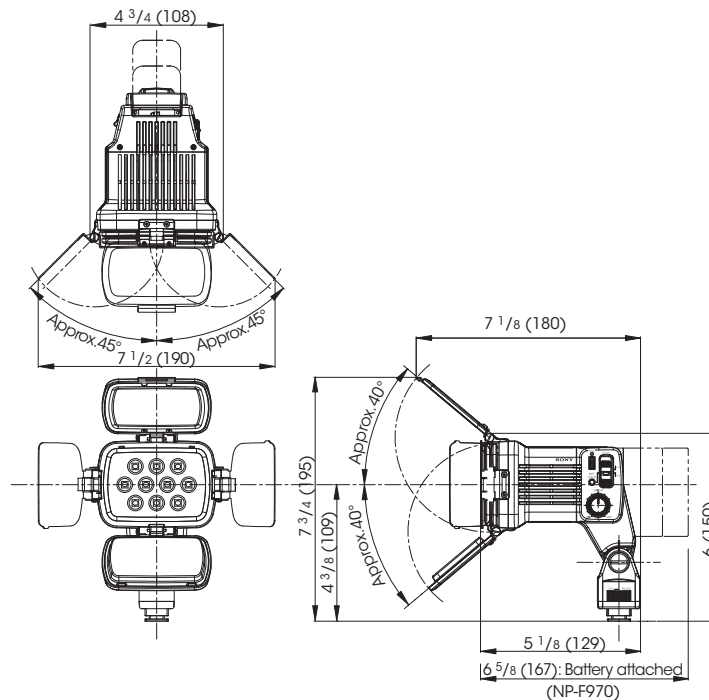


**VCT-1BP**  
Bracket

## Specifications

Light	
Lighting device	LED
Lighting distance (with Lens)	Approx. 3 1/5 ft. (1 m) 600 lux    Approx. 9 and 4/5 ft. (3 m) 66 lux    Approx. 16 and 1/2 ft. (5 m) 24 lux Approx. 26 and 1/3 ft. (8 m) 9 lux    Approx. 32 and 4/5 ft. (10 m) 6 lux
Colour temperature	Without filter: Approx. 5500 K without diffuser (when the BRIGHT dial is set to MAX at an ambient temperature of 70 °F (25 °C)) With filter: Approx. 3200 K without diffuser (when the BRIGHT dial is set to MAX at an ambient temperature of 70 °F (25 °C))
Lighting directions	Vertical approx. 45 degrees    Horizontal approx. 60 degrees (without lens)    30 degrees (with lens)
Continuous lighting time	Approx. 3 hours (when using a fully charged NP-F970 and when the BRIGHT dial is set to MAX at an ambient temperature of 70 °F (25 °C)) Approx. 2 hours (when using a fully charged NP-F770 and when the BRIGHT dial is set to MAX at an ambient temperature of 70 °F (25 °C))
General	
Weight	Approx. 14.9 oz (420 g)
Power requirements	DC 7.2 V    InfoLITHIUM rechargeable battery pack L series NP-F900/700 range. (cannot use NP-F500/300 range)
Power consumption	Approx. 16 W
Operating temperature	+32 to +104 °F (0 to +40 °C)
Storage temperature	-4 to +140 °F (-20 to +60 °C)
Supplied accessories	3200 K filter kit, Battery adaptor code, cable length approx. 3 4/5 ft. (1.2m), Operating instructions

## Dimensions



Unit: inches (mm)

**SONY**

Sony Electronics Inc.  
1 Sony Drive  
Park Ridge, NJ 07656

click: [sony.com/HDV](http://sony.com/HDV)

V-2428 (MK10521V1)

© 2008 Sony Electronics Inc. All rights reserved.  
Reproduction in whole or in part without written permission is prohibited.  
Features and specifications are subject to change without notice.  
All non-metric weights and measurements are approximate.  
Sony and InfoLITHIUM are trademarks of Sony.

Printed in USA (10/08)