

**SONY**  
make.believe



**VCT-SP2BP**  
**VCT-SP1BP**  
Camcorder Support

# Two-way Camcorder Support System

Sony's new VCT-SP2BP camcorder support is designed to smoothly integrate with consumer and professional tripod heads. A quick release system allows camera operators to easily follow the action from tripod to stabilized handheld shooting and back again.



## Preset the shoulder pad to fit your size

Adjust the length of the shoulder pad and fix it using a screw



## Easy transformation from tripod operation style to shoulder support style



1. Easily detach the camcorder from tripod



2. Stretch out the shoulder pad and put camcorder on shoulder

\* Instant support is available using only the shoulder pad

3. Lower the chest pad

4. Stretch out the chest pad



5. A three point support is achieved using the "shoulder", "chest" and "your hand"

## Comes with various adaptors



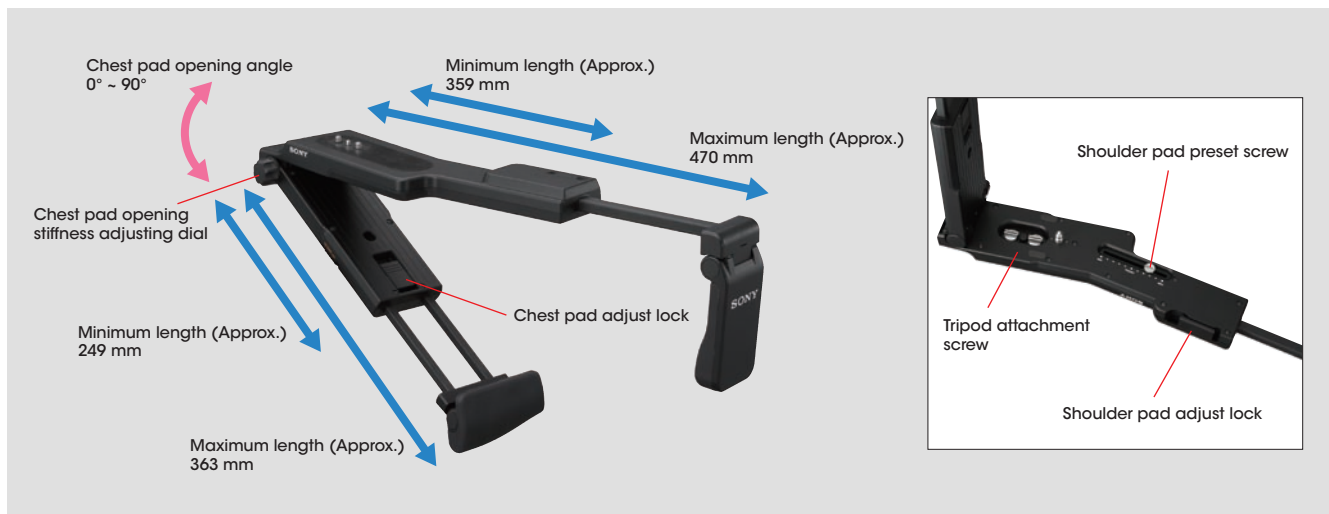
Comes with VCT-U14 Adaptor

Comes with an accessory adaptor

Various accessories can be mounted  
Ex. Wireless microphone receiver

Screw the accessory adaptor on to VCT-SP2BP

## Perfect Design for Both Shoulder Support and Tripod Usage



# Multi-purpose Camcorder Support System

**Weight Support for Stable and Comfortable Shooting**  
 VCT-SP1BP is a weight support system for handheld camcorders.  
 Shoulder and hip weight distribution reduce hand/arm load weight.



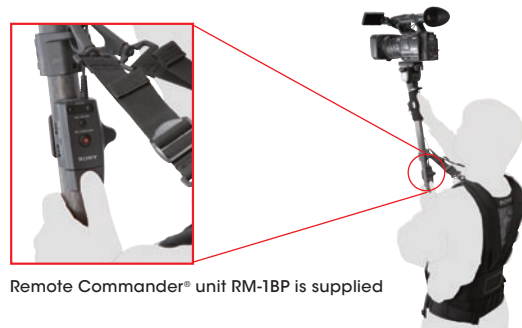
## Maintain Shooting Mobility

Comfortable and portable, the monopod system provides mobility to allow flexible shooting styles.  
 Easy set-up with one action harness connection attach/detach system.



## Remote Control Capability

Remote Commander® unit RM-1BP is supplied with this system. You can remotely control the basic functions of your camcorder such as record start/stop, zoom and focus. This is especially useful for high angle shooting where you cannot operate your camcorder directly,



Remote Commander® unit RM-1BP is supplied

## Supports Varieties of Shooting Styles

Using the VCT-SP1BP, you have the flexibility to move around while maintaining a stable shot even in crowded areas.  
 Three main shooting styles are possible with the VCT-SP1BP.

1. Normal shooting
2. High angle shooting
3. Monopod shooting



Normal Shooting




High Angle Shooting



Monopod Shooting


## Perfect Design as a Camcorder Monopod

**Quick shoe plate**




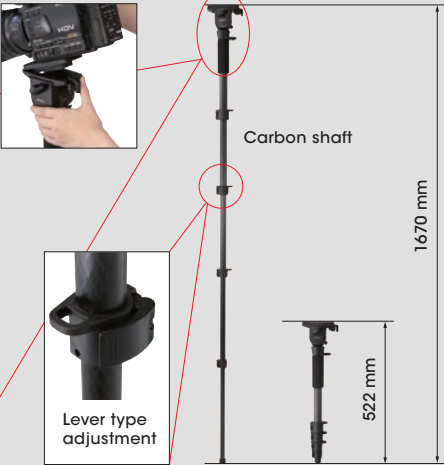
**Slide bolt**  
For weight balance

**Two bolts (removable)**  
For more stable attach



**Screw a bolt by fingers**

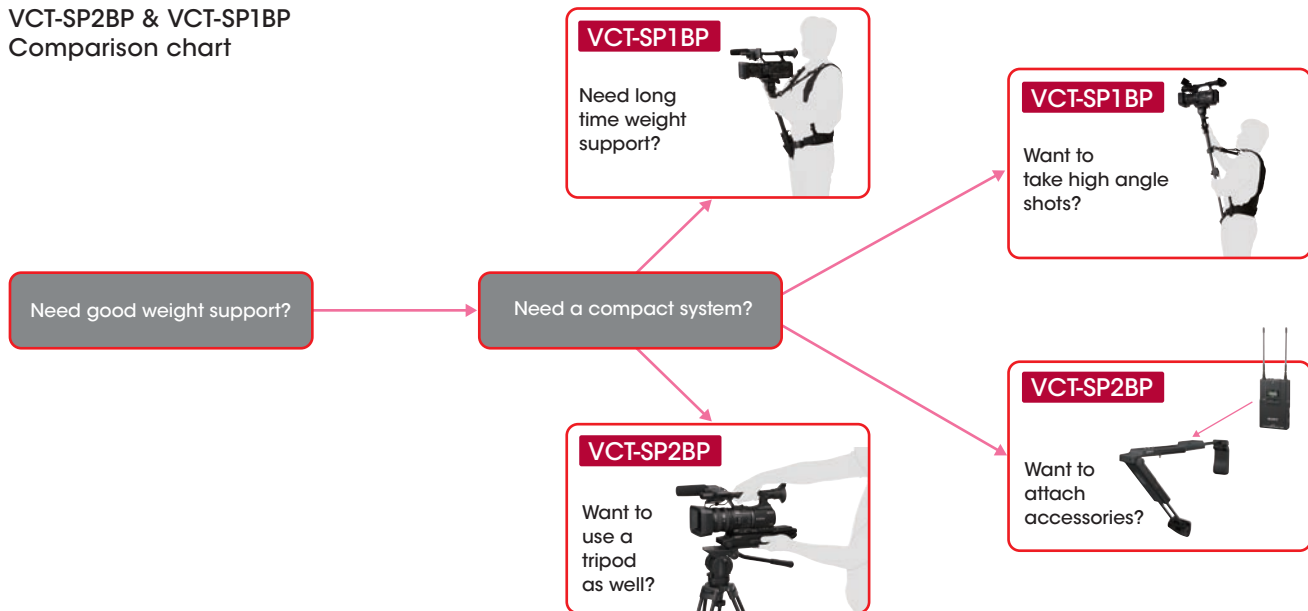




1670 mm

522 mm

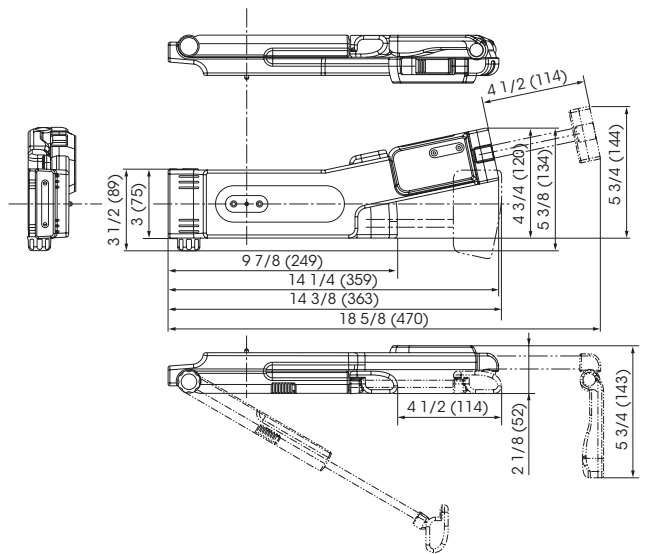
VCT-SP2BP & VCT-SP1BP  
Comparison chart



Specifications

	VCT-SP2BP
Dimension (Approx.)	W 14 1/4 x H 2 1/8 x D 5 3/8 inches (359 x 52 x 134 mm)
Weight (Approx.)	29.6 oz (840 g)
Maximum Load	4 kg (Not only camera, but all attached load)

DIMENSIONS

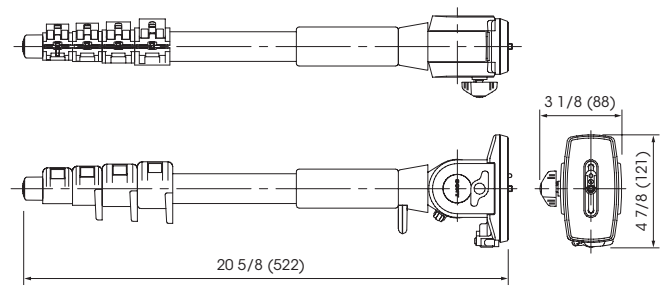


Unit: inches (mm)

Specifications

	VCT-SP1BP
<b>Monopod</b>	
Dimension (Approx.)	Max. Height 65 7/8, Min. Height 20 5/8 inches (1670, 522 mm)
Weight (Approx.)	2 lb14 oz (1.3 kg)
Maximum Load	5 kg (Not only camera, but all attached load)
Tilting Angle <Down>	60 degrees
Tilting Angle <Up>	45 degrees
<b>Remote Controller</b>	
Rec. Start / Stop	Rec. Start / Stop
Zoom	Variable Zoom
Other functions	Zoom Speed (3steps), Zoom Direction Switch, Rec Review, Focus
Length of Cord (Approx.)	39 3/8 inches (1000 mm)

DIMENSIONS



Unit: inches (mm)

©2010 Sony Electronics Inc. All rights reserved.

Reproduction in whole or in part without written permission is prohibited.

Features and specifications are subject to change without notice.

All non-metric weights and measurements are approximate.

Sony, "make.believe" and their respective logos and Remote Commander are trademarks of Sony.